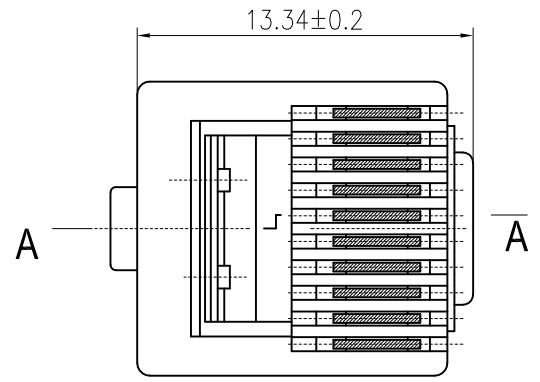


REV:	ECN NO OR DESCRIPTION	REVISED	DATE
AO	INITIAL RELEASE	KEN	24.06.03



ENVIRONMENTAL:

1. STORAGE: -10°C ~ +40°C RELATIVE HUMIDITY < 80%, GB 10753-89
2. GUARANTEE PERIOD: 12 MONTHS
3. OPERATION: -25°C ~ +55°C GB 10753-89
4. SALT WATER SPRAY: SEE TABLE

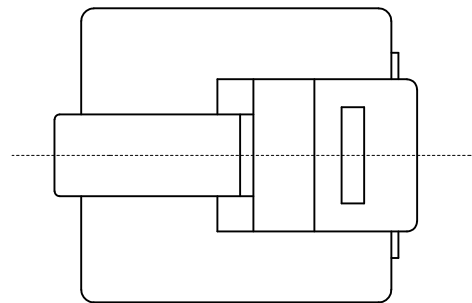
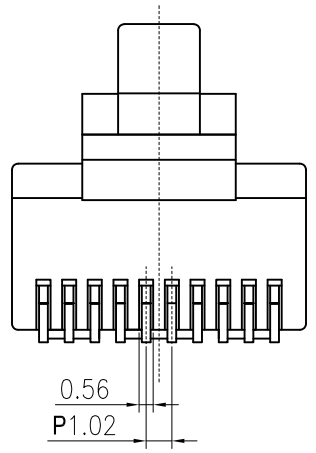
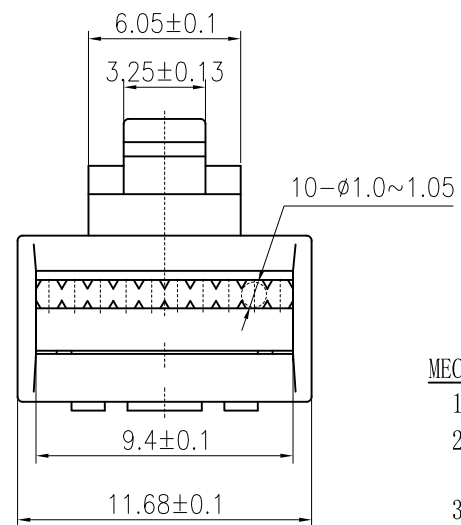
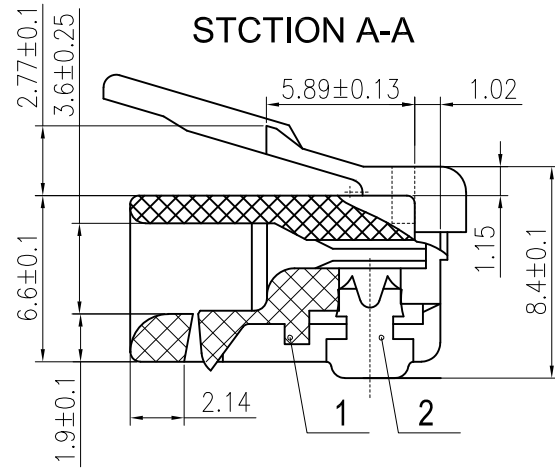
SPECIFICATION NOTES:

ELECTRICAL:

1. VOLTAGE RATING: 125 VAC RMS
2. CURRENT RATING: 1.5 AMP
3. CONTACT RESISTANCE: 20mΩ MAX.
4. INSULATION RESISTANCE: 1000MΩ MIN. AT 500V DC.
5. DIELECTRIC STRENGTH: 1000 V AC OR 1500V DC RMS AT 0.5mA 50 Hz / 60 Hz FOR 1 MINUTE

MECHANICAL:

1. HOUSING&INSERT&MATERIAL: SEE TABLE
2. CONTACT MATERIAL: PHOSPHOR BRONZE/ BRASS T=0.35MM
3. PLATING: GOLD PLATING AT CONTACT AREA, NICKEL 50u" MIN. OVER ALL.
4. MAKE USE OF LING O/D: 0.95±0.05MM
5. OPERATING LIFE: 750 CYCLES MIN.
6. RETENTION STRENGTH: 50N MIN. FOR 60S±5S



UNLESS OTHERWISE SPECIFIED TOLERANCES		Coorle Technology	
DECIMALS:	ANGLES:	TITLE	Modular Plug 10P10C Short Body
X : ±0.20	X : ±3°	DWN	Michael 24.06.03 PART-NO:
X.X : ±0.10	X.X : ±1°	CHKD	UNIT: mm
X.XX : ±0.05		APVD	SHEET: 1 OF 1
		SCALE: 1/1	
ENGINEERING COPY			